

## Contractor Cones



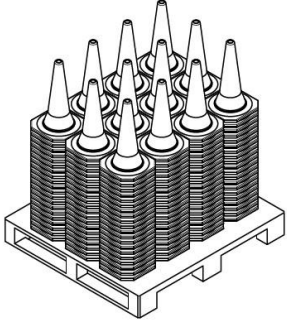
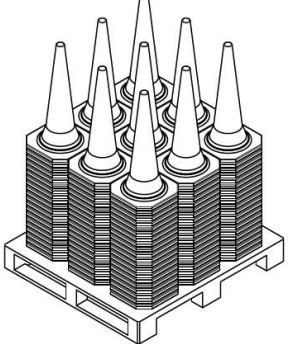
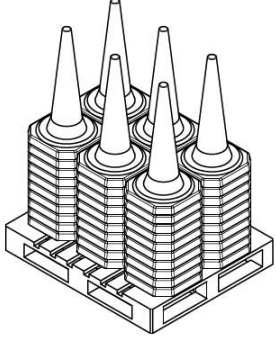
### Features:

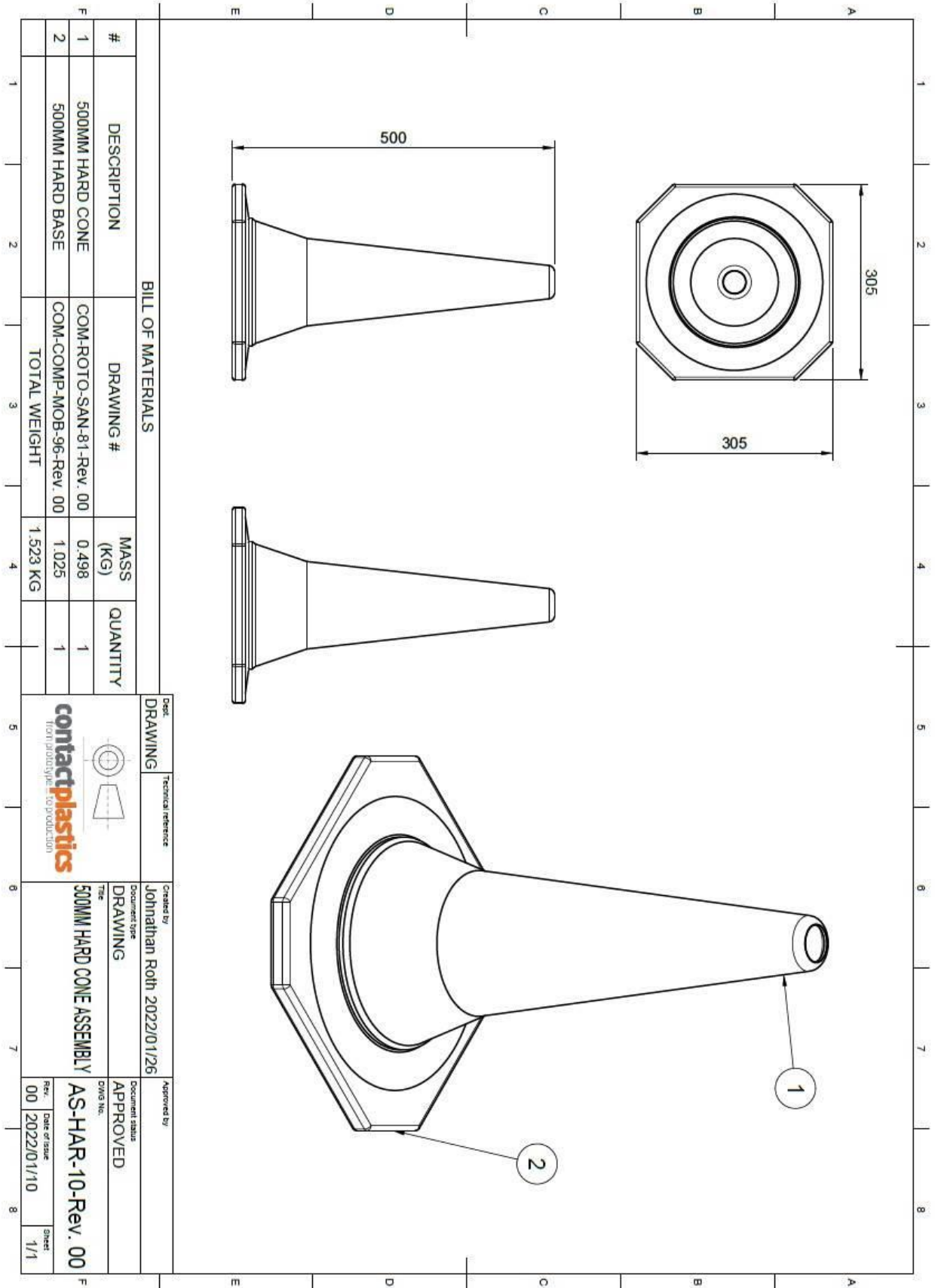
Made from high quality virgin LLDPE • Stack and pack easily and suit standard pallets  
 • Available in a wide range of stock colours • Custom colours available on request and subject to MoQ • Heavy and wind resistant • Highly UV and temperature resistant • Drop-over heavy-duty rubber bases available on request

SKU	Description	mm (A)	mm (B)	mm (C)	KG
RC-C-500-X	500mm Contractor Cone	500	305	305	1,5
RC-C-750-X	750mm Contractor Cone	765	373	373	2,9
RC-C-HEV-X	750mm Cape Cone	765	395	395	7

**X = Colour options:** Stock colours are red, orange, blue.

**Palletisations**

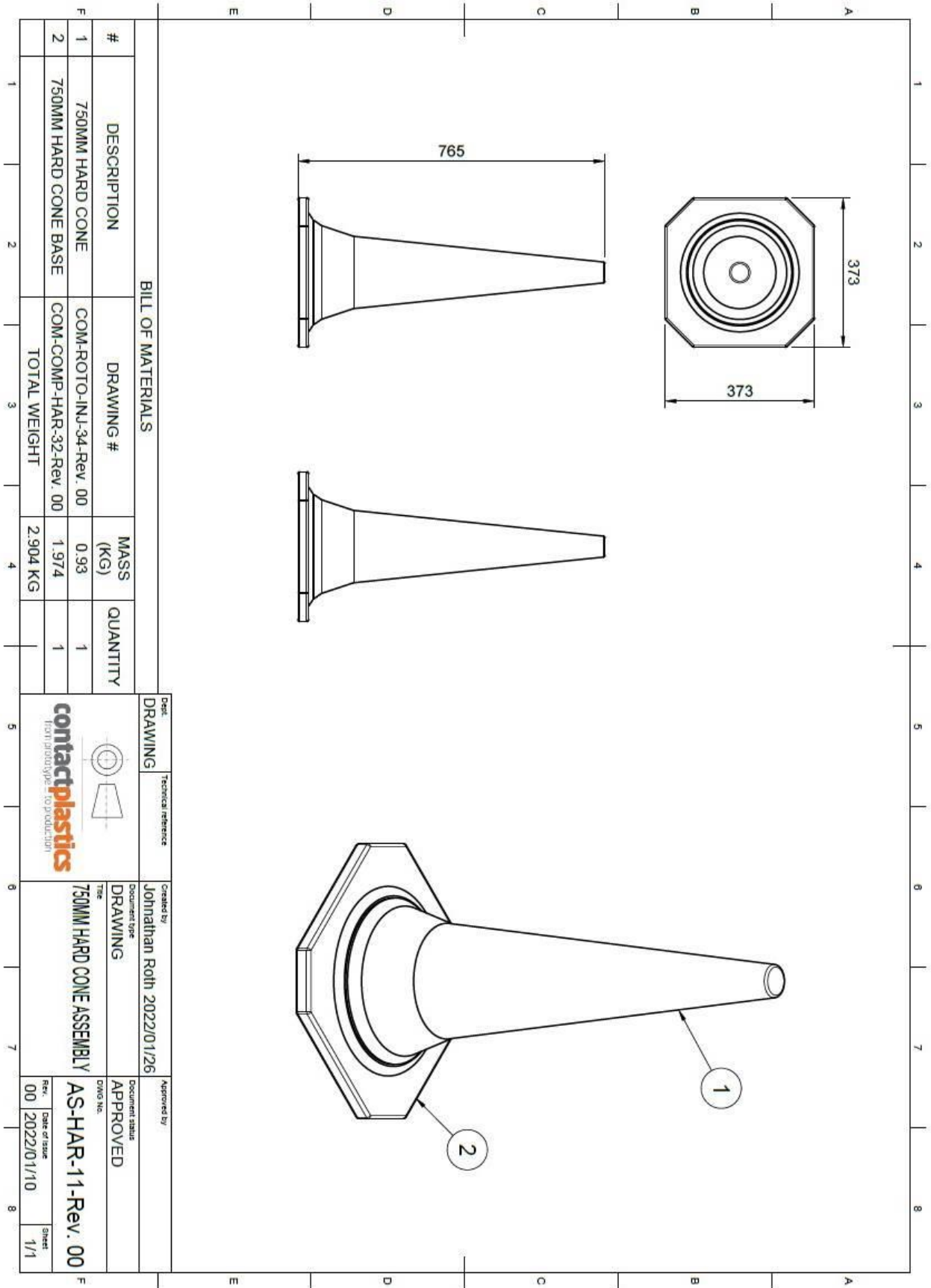
Type	Length	Width	Height	Mass [kg]	Parts/Pallet	Diagram
500	1300	1200	1430	330	240 units	
750	1300	1200	1695	554	180 units	
Cape	1000	1200	1511	455	60	



#	DESCRIPTION	DRAWING #	MASS (KG)	QUANTITY
1	500MM HARD CONE	COM-ROTO-SAN-81-Rev. 00	0.498	1
2	500MM HARD BASE	COM-COMP-MOB-96-Rev. 00	1.025	1
TOTAL WEIGHT			1.523 KG	


**BILL OF MATERIALS**

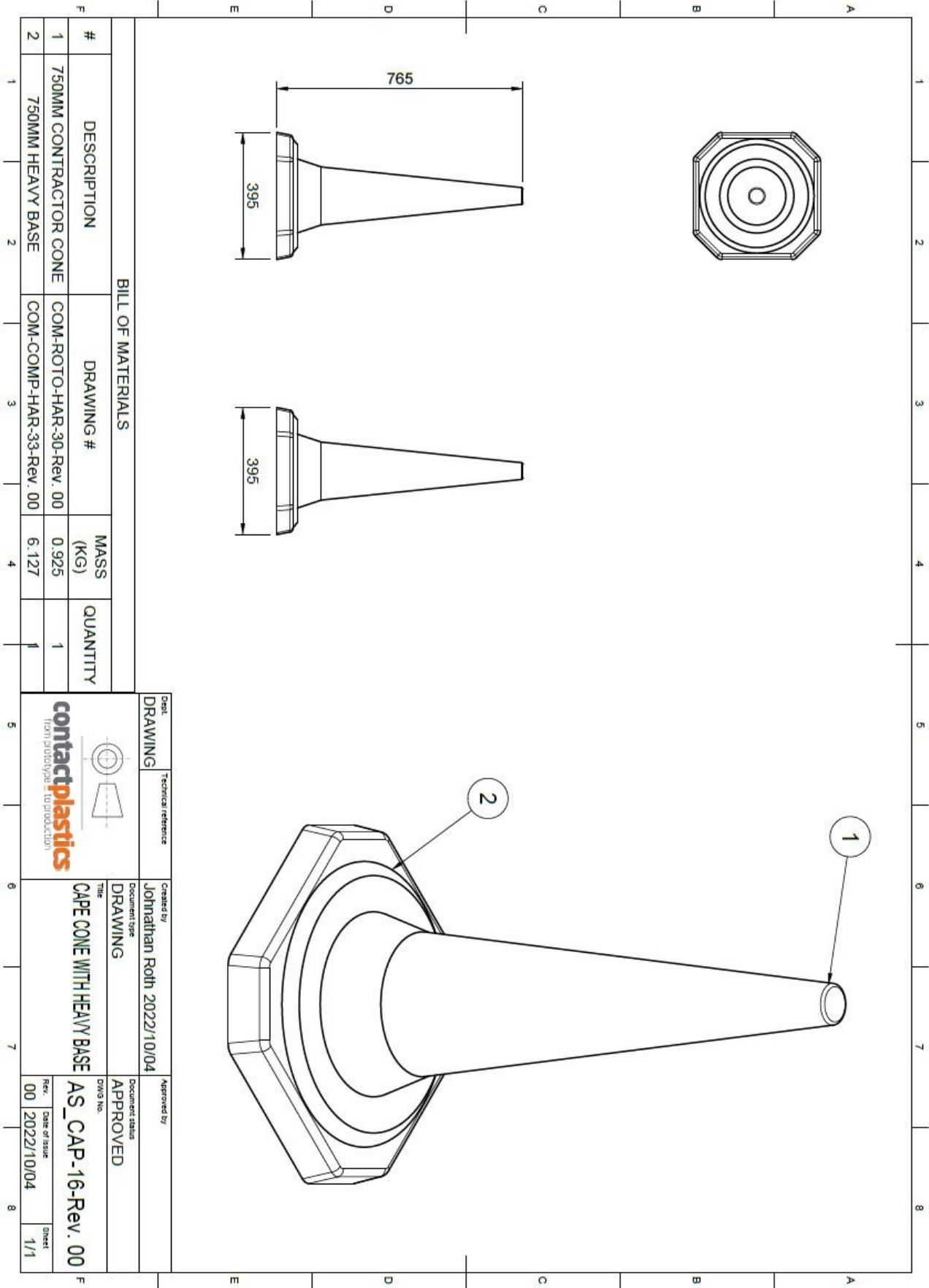
<p>contactplastics from prototype _ to production</p>	<p>Doc: DRAWING</p> <p>Technical reference</p>	<p>Created by: Johnathan Roth 2022/01/26</p> <p>Document type: DRAWING</p>	<p>Approved by:</p> <p>Document status: APPROVED</p>
		<p>The 500MM HARD CONE ASSEMBLY</p> <p>DWG No.</p>	<p>AS-HAR-10-Rev. 00</p> <p>Rev. 00 Date of issue 2022/01/10</p> <p>Sheet 1/1</p>




#	DESCRIPTION	DRAWING #	MASS (KG)	QUANTITY
1	750MM HARD CONE	COM-ROTO-INJ-34-Rev. 00	0.93	1
2	750MM HARD CONE BASE	COM-COMP-HAR-32-Rev. 00	1.974	1
TOTAL WEIGHT			2.904 KG	

**BILL OF MATERIALS**

 from prototype to production	Dept. <b>DRAWING</b> Technical reference	Created by <b>Johnathan Roth 2022/01/26</b> Document type <b>DRAWING</b>	Approved by Document status <b>APPROVED</b> Dwg No.
		The <b>750MM HARD CONE ASSEMBLY</b> AS-HAR-11-Rev. 00	Rev. <b>00</b> Date of issue <b>2022/01/10</b> Sheet <b>1/1</b>



BILL OF MATERIALS				
#	DESCRIPTION	DRAWING #	MASS (KG)	QUANTITY
1	750MM CONTRACTOR CONE	COM-ROTO-HAR-30-Rev. 00	0.925	1
2	750MM HEAVY BASE	COM-COMP-HAR-33-Rev. 00	6.127	1

<p>Dept: <b>DRAWING</b></p> <p>Technical reference:</p>  <p>contactplastics from prototype to production</p>	<p>Created by: <b>Johnathan Roth 2022/10/04</b></p> <p>Document type: <b>DRAWING</b></p> <p>Title: <b>CAPE CONE WITH HEAVY BASE</b></p>	<p>Approved by:</p> <p>Document status: <b>APPROVED</b></p> <p>OWG No:</p>
<p>Rev: <b>00</b></p> <p>Date of issue: <b>2022/10/04</b></p>	<p>AS_CAP-16-Rev. 00</p>	<p>Sheet: <b>1/1</b></p>